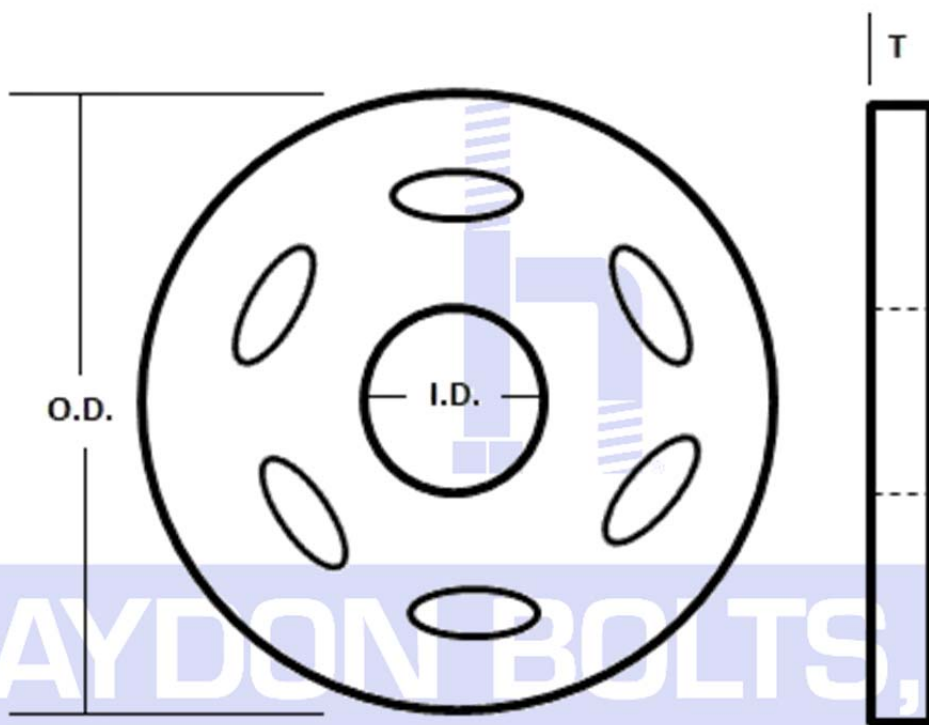




HAYDON BOLTS, INC.

DTI Washer Cut Sheet



Diameter: _____

Grade: _____

Finish: Plain Galvanized