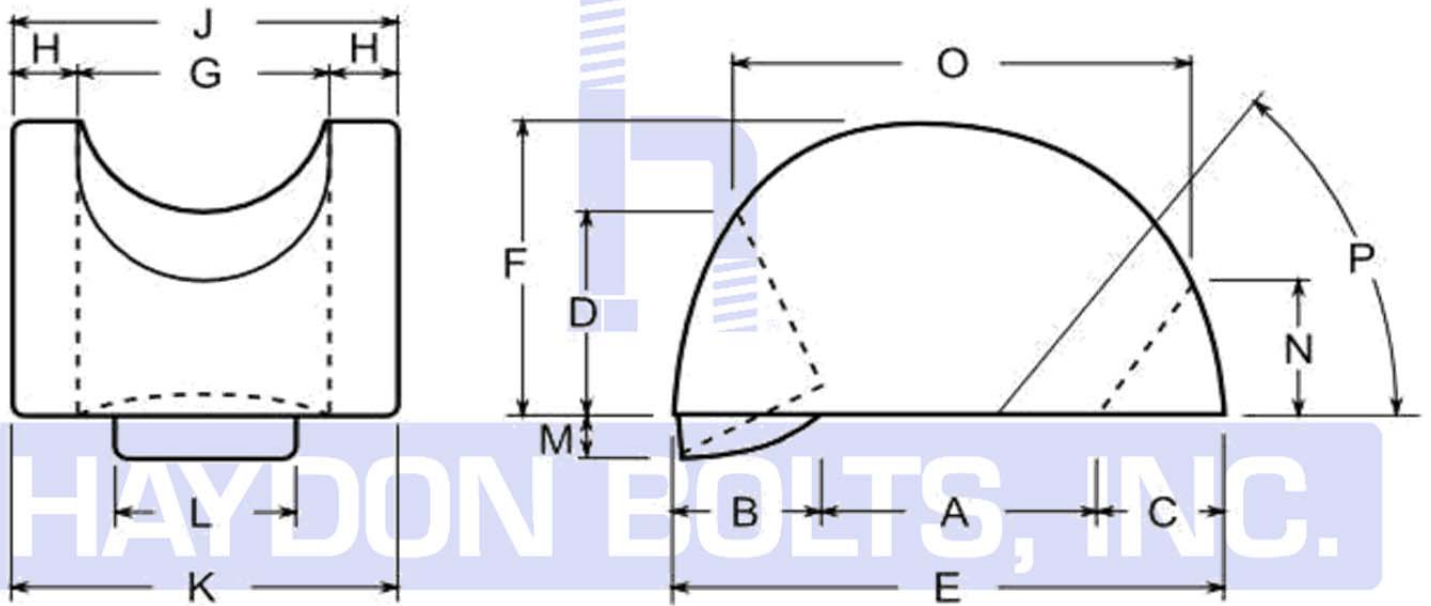




HAYDON BOLTS, INC.

Hillside Washer Cut Sheet



A: _____

F: _____

L: _____

B: _____

G: _____

M: _____

C: _____

H: _____

N: _____

D: _____

J: _____

O: _____

E: _____

K: _____

P: _____