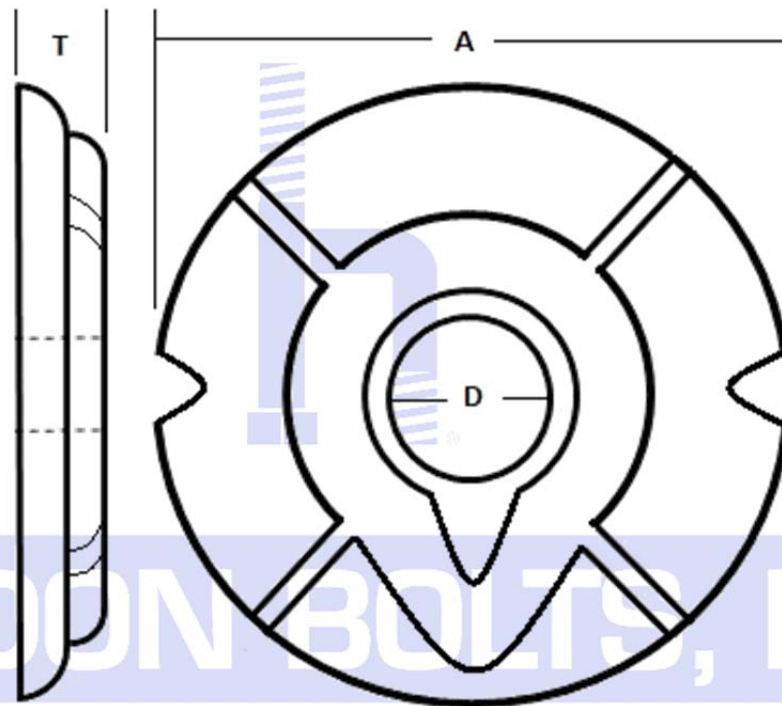




HAYDON BOLTS, INC.

Malleable Cast Iron Washer Cut Sheet



HAYDON BOLTS, INC.

Grade: ASTM A48

Diameter: _____

Finish = Galvanized

Additional Comments:

