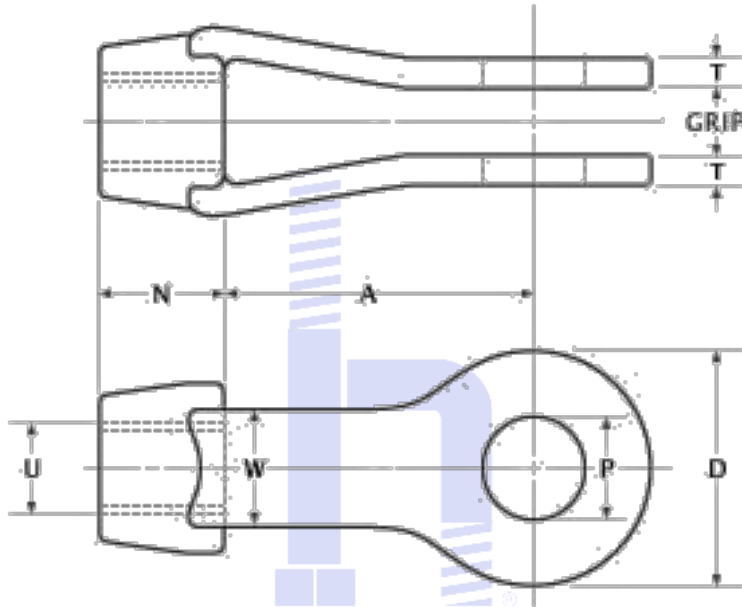




# HAYDON BOLTS, INC.

## Clevis – Cut Sheet



Clevis #: \_\_\_\_\_

Throat Depth (A): \_\_\_\_\_

(Plate Thickness + 1/4")

Tap Size (U): \_\_\_\_\_

Leg Width (W): \_\_\_\_\_

Pin Diameter (P): \_\_\_\_\_

Leg Thickness (T): \_\_\_\_\_

Eye Dia (D): \_\_\_\_\_

Grip: \_\_\_\_\_

Nut Thickness (N): \_\_\_\_\_

Finish: Plain

Galvanized

Additional Comments:

\_\_\_\_\_  
\_\_\_\_\_  
\_\_\_\_\_  
\_\_\_\_\_  
\_\_\_\_\_